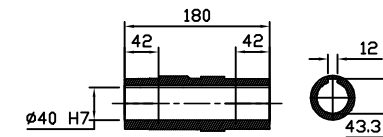
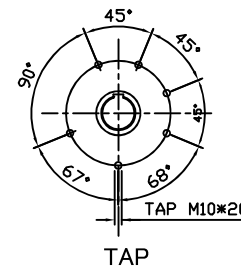
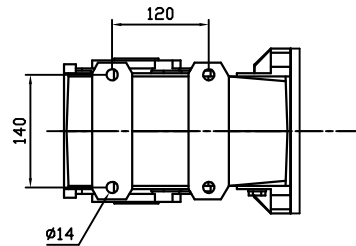
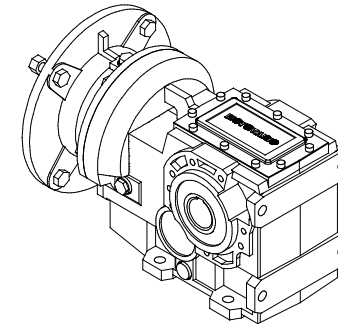
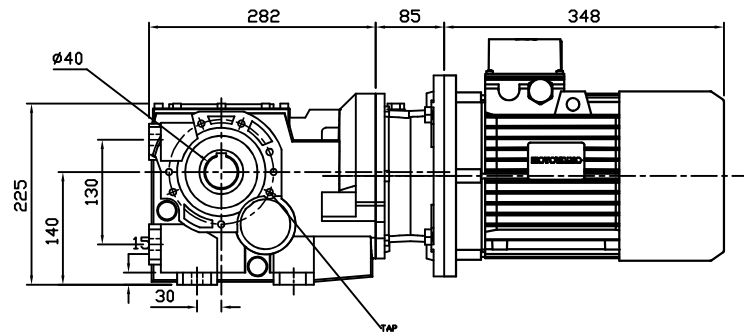
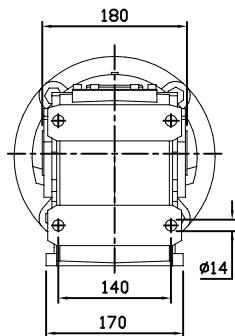


REDUCER SPEC	
MODEL	B083
SERVICE FACTOR	3
RATIO	10.49
OUTPUT [rpm]	166.8
OUTPUT TORQUE [Nm]	206
WEIGHT [kg]	31.3

MOTOR SPEC	
MODEL	TPA/112M4-220/380V
POWER [kW]	4
POLE, PHASE	4P, 3PHASE
INPUT [rpm]	1750
BRAKE	NO
WEIGHT [kg]	35



OUTPUT HOLLOW SHAFT

PROJECT		MOTOVARIO					
DRAWN	SEO Y.S	DATE		REV	A	SCALE	1:1
CHECKED	KIM J.S	DATE		UNIT	MM	PAGE	-
APPROVED	LEE J.Y	DATE					